

PROTECT CARE



+ Static and mobile clear Plexiglas® screens

PROTECT partitioning screens are ideal for installing in healthcare settings (laboratories, vaccination sites, etc.) to ensure the protection of patients. They can also be deployed in waiting areas, dining spaces, offices or meeting rooms. These screens come into their own wherever safe physical distancing and the maintenance of inter-personal visual contact is required. And since they are made from Plexiglas®, they are easy to sanitise and keep clean.

5 mm thick transparent
Plexiglas® screen

White metal
frame

Easy to maintain
and disinfect



Mobile screen

Frame mounted on black ABS
castors, 2 with brakes



Part-glazed screen

Frame on static feet



Static screen

Frame on static feet



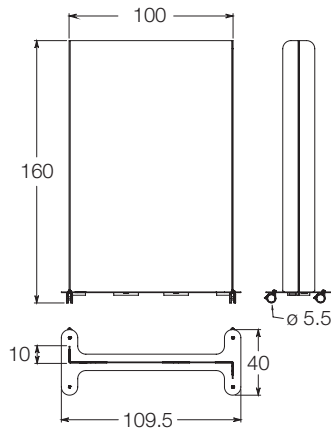
Discover our health protection range « PROTECT »
at www.eol-group.net



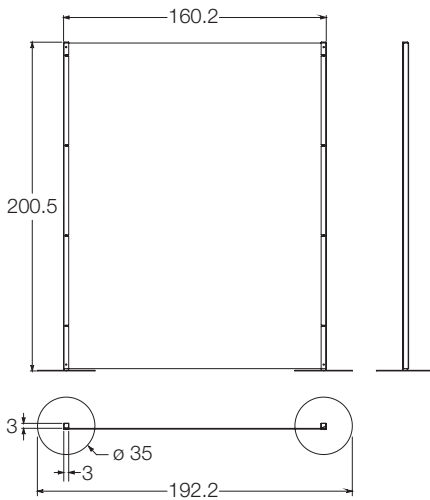
EUROPEAN OFFICE FURNITURE
MANUFACTURER
www.eol-group.net

OVERVIEW & PRICES

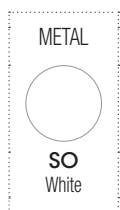
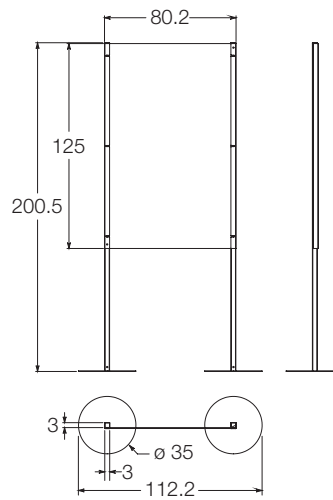
① Mobile screen



② Static screen



③ Part-glazed screen



PROTECT CARE

		Ref.	RRP excl VAT
① Mobile screen	Overall dim.: W. 109.5 x H. 160 cm	6 736 058 PV SO	£ 407
② Static screen	Overall dim.: W. 192.2 x H. 200.5 cm	6 736 060 PV SO	£ 495
③ Part-glazed screen	Overall dim.: W. 112.2 x H. 200.5 cm	6 736 027 PV SO	£ 278

LEAD TIME : 1 to 3 weeks



Maintenance:
Use everyday cleaning products (soap, glass cleaner, diluted bleach 10%).
Resistant to hydroalcoholic gels when wiped down afterwards.



Discover our health protection range « PROTECT »
at www.eol-group.net



EUROPEAN OFFICE FURNITURE
MANUFACTURER
www.eol-group.net