

PROTECT OPEN

foot controlled door access

new

The system of opening a door with a foot takes away the need to touch a door handle. It works irrespective of the direction of door opening and is installed in less than 10 minutes using 4 screws or double sided tape



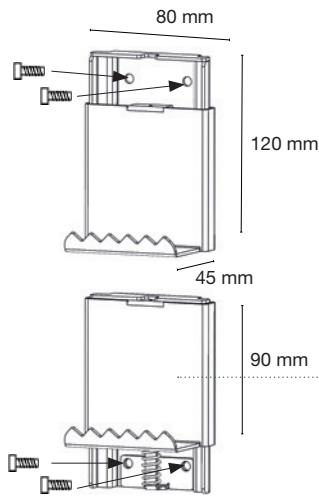
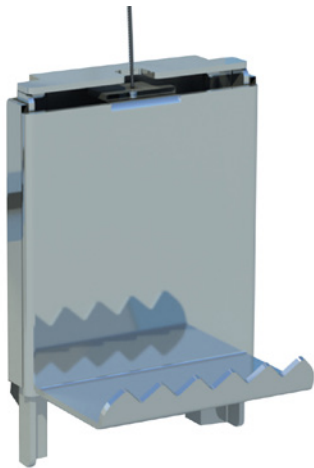
EUROPEAN OFFICE FURNITURE
MANUFACTURER
eol-group.net

Fixing to the handle



Rubber ring to fit to the door handle

Fixing of the pedal to the bottom of the door

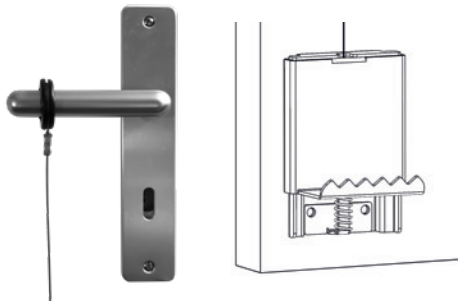


Upper part to screw or attach to the bottom of the door (screws and double sided tape supplied)

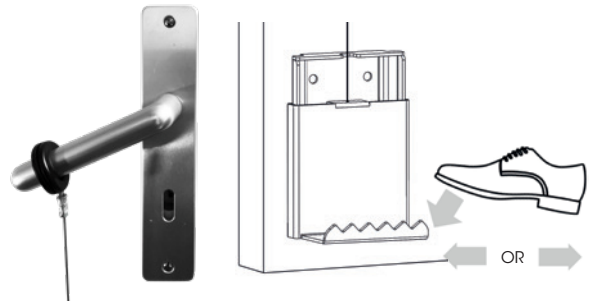
Sliding part and foot rest

The fitting at the bottom of the door should be done with the handle in closed position (horizontal = no tension in the cable)

How « PROTECT OPEN » works



Door closed – handle in horizontal position, sliding plate in the upper position



Open the door: push on the pedal with your foot & simultaneously push or pull



2 stickers supplied

PROTECT OPEN

Ref.

RRP excl VAT

Compatible with all door type excluding fire doors - galvanized finish

Set of 2 complete kits (for 1 door)

7 736 001 NR

£ 102

LEAD TIME TO DEALER WAREHOUSE: 10 working days